



Simplicity Bubblers Chilled Beverage Dispensers 2x9 L+1x18 L, agitator model with locking lid and UK plug

ITEM # _____

MODEL # _____

NAME # _____

SIS # _____

AIA # _____



600930 (ECS3D22UKX)

Chilled Beverage Dispenser with 2x9 l bowls and 1x18 l bowl, agitator and locking lid, R290 - UK plug

Short Form Specification

Item No. _____

Chilled beverage dispenser, 2x9lt+1x18lt, with agitation function for fresh juices, coffees, or teas with minimal foaming system. Dispense 3 flavors in (2) 9lt and (1) 18lt easy-clean bowls with 23cm cup clearance. Easy-off bowl release system for faster and easier assembly and disassembly. Bowls with locking lid for added safety against tampering.

Temperature range from 1.7 - 5° C. Pre-mix dispenser with stainless steel base and clear plastic bowls. Delivered with UK plug.

APPROVAL: _____

Main Features

- Agitation function for fresh juices, coffees, or teas with minimal foaming system.
- Easy-off bowl release system for faster and easier assembly and disassembly.
- User friendly design enables machine to dispense product till the very last drop.
- Dispense 3 flavors in (2) 9 L and (1) 18 L easy-clean bowls with 23 cm cup clearance.

Construction

- Pre-mix dispenser with stainless steel base and clear plastic bowls.
- Fewer removable parts to simplify cleaning and reduce maintenance.
- Temperature range from 1.7 - 5° C.
- Compact size of 52 cm wide saves valuable counter space.
- The air intakes from the bottom and exhaust to back.
- Locking lid for added safety against tampering.
- Refrigerant type: R290.



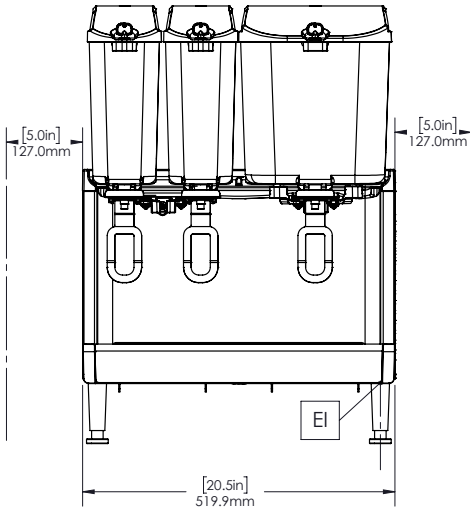
Chilled Beverage Dispensers 2x9 L+1x18 L, agitator model with locking lid and UK plug

Simplicity Bubblers

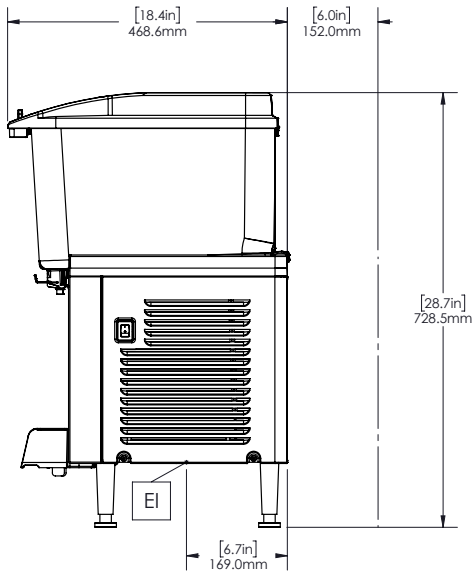


Experience the Excellence
www.electroluxprofessional.com

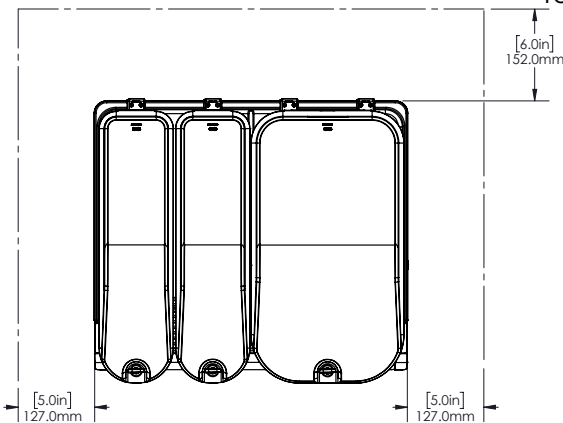
Front



Side



Top



Electric

Supply voltage:
 600930 (ECS3D22UKX) 230 V/1N ph/50/60 Hz
 Electrical power max.: 1 kW

Key Information:

External dimensions, Width: 521 mm
 External dimensions, Depth: 451 mm
 External dimensions, Height: 729 mm
 Net weight: 32 kg
 Shipping weight: 24 kg
 Shipping height: 530 mm
 Shipping width: 380 mm
 Shipping depth: 480 mm

Refrigeration Data

Refrigerant type: R290